

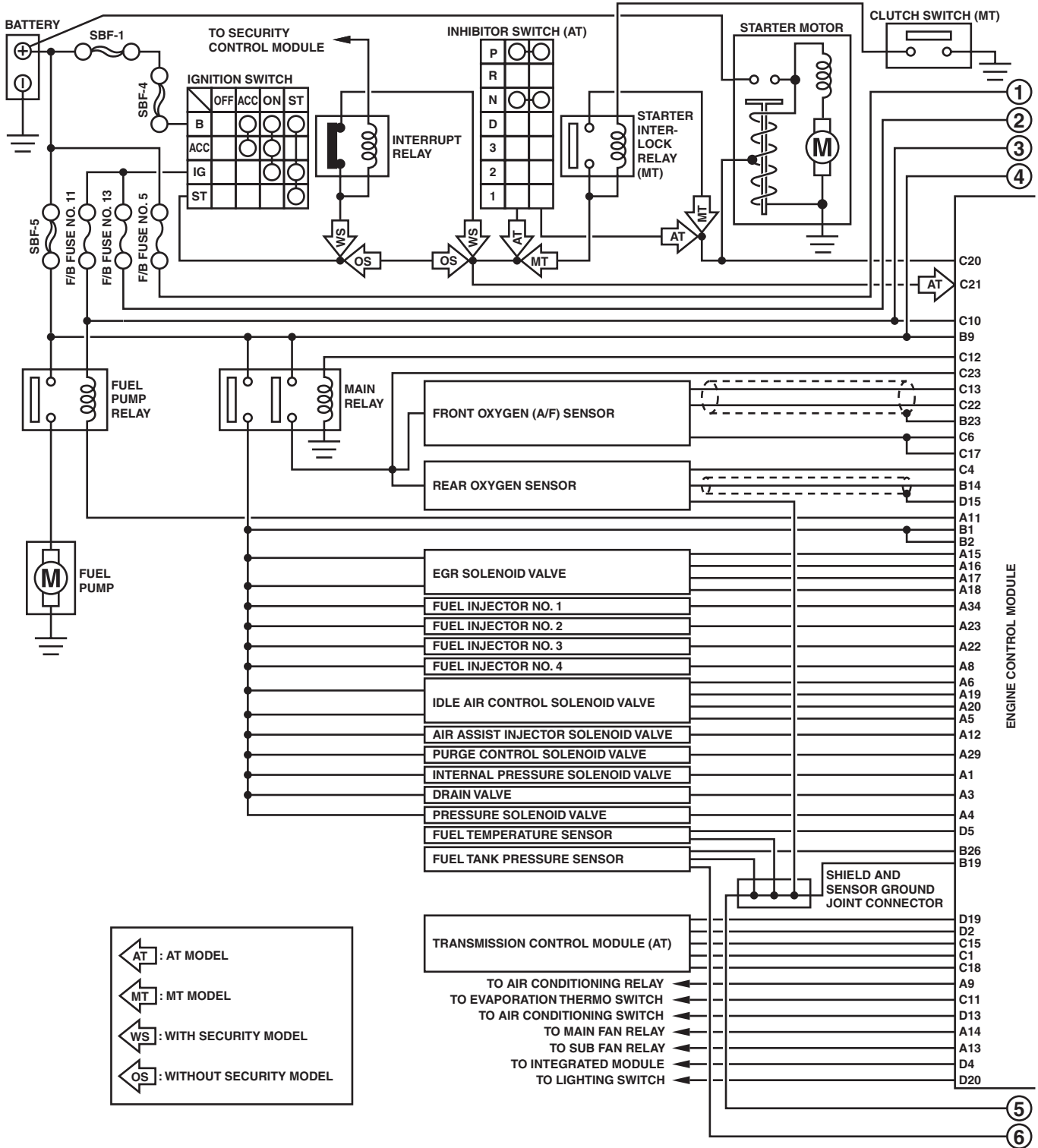
ENGINE ELECTRICAL SYSTEM

WIRING SYSTEM

18.Engine Electrical System

A: WIRING DIAGRAM

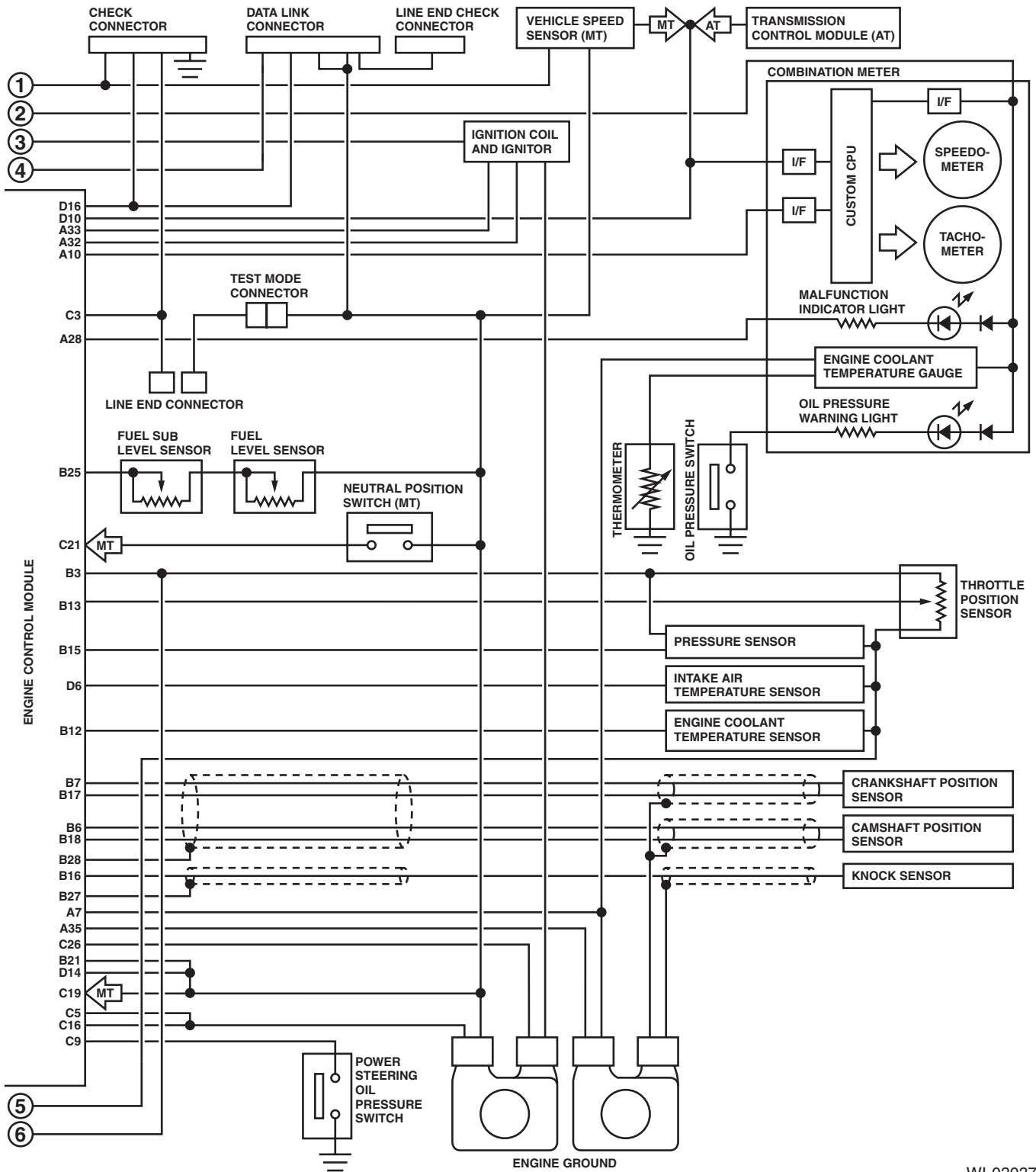
1. NON-TURBO MODEL



WI-03036

ENGINE ELECTRICAL SYSTEM

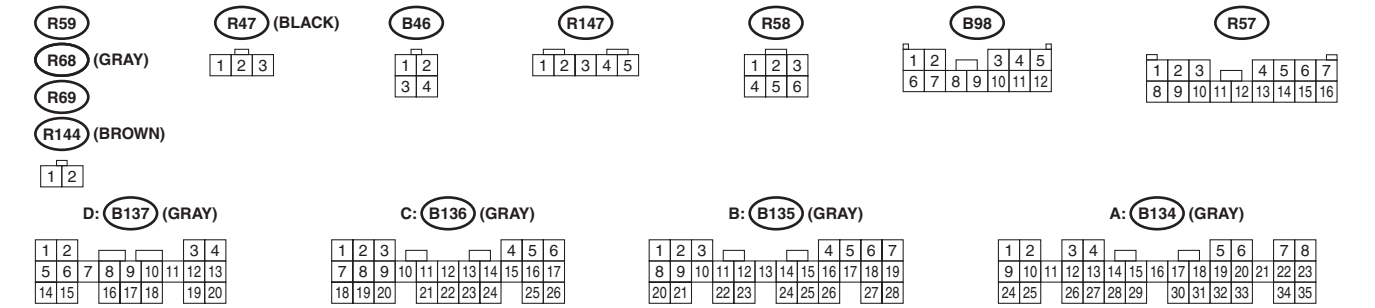
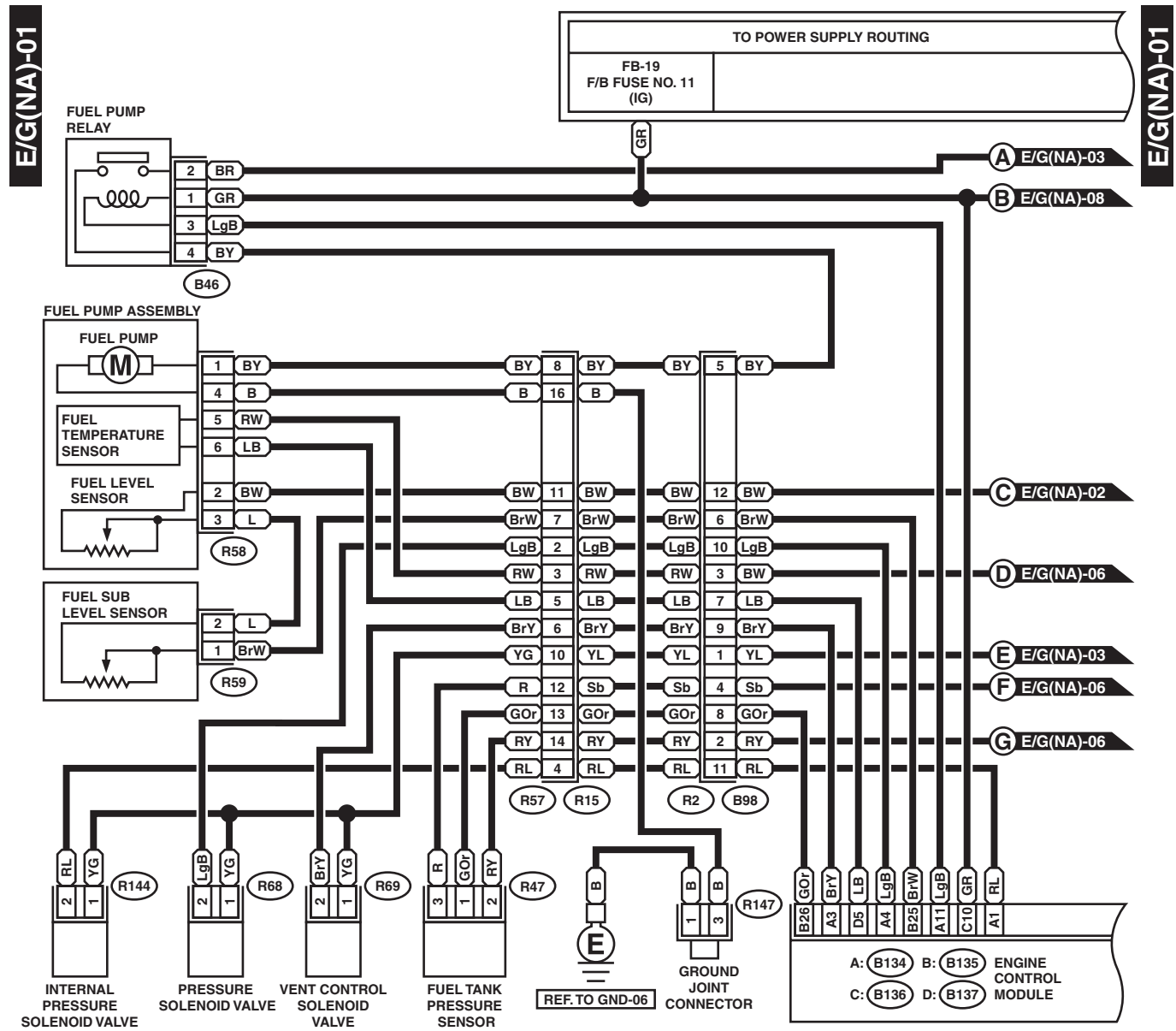
WIRING SYSTEM



WI-03037

ENGINE ELECTRICAL SYSTEM

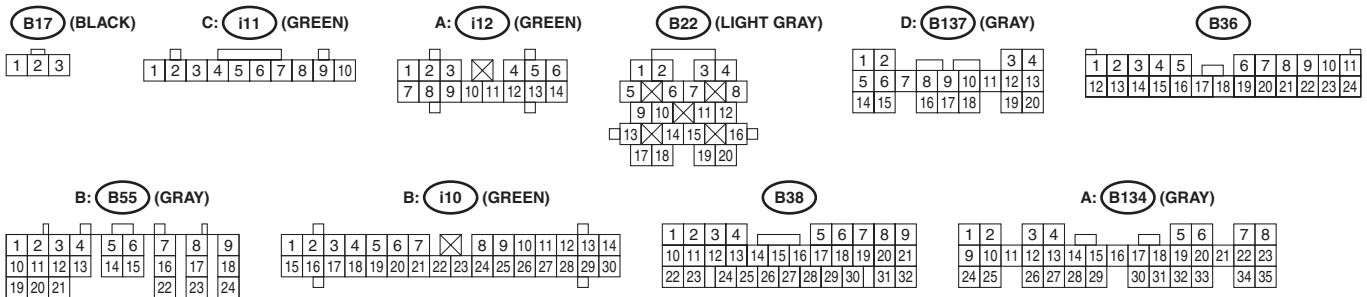
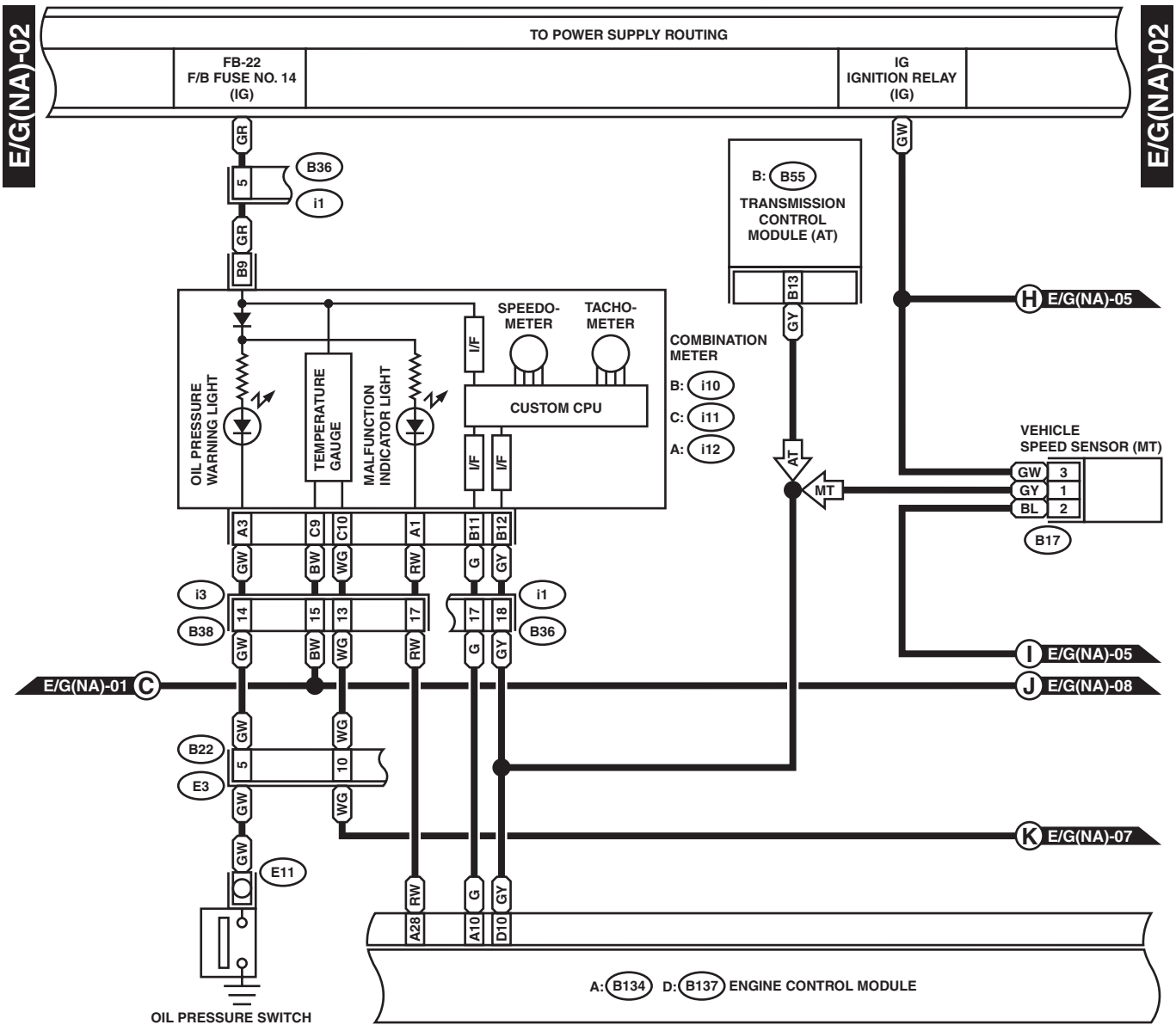
WIRING SYSTEM



WI-03038

ENGINE ELECTRICAL SYSTEM

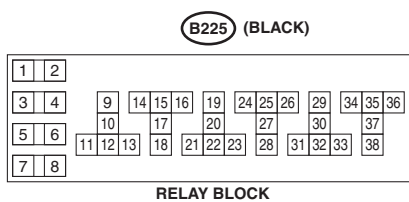
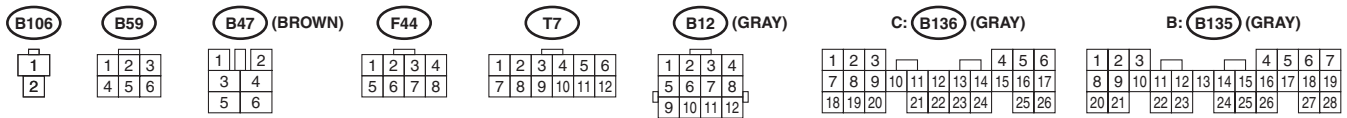
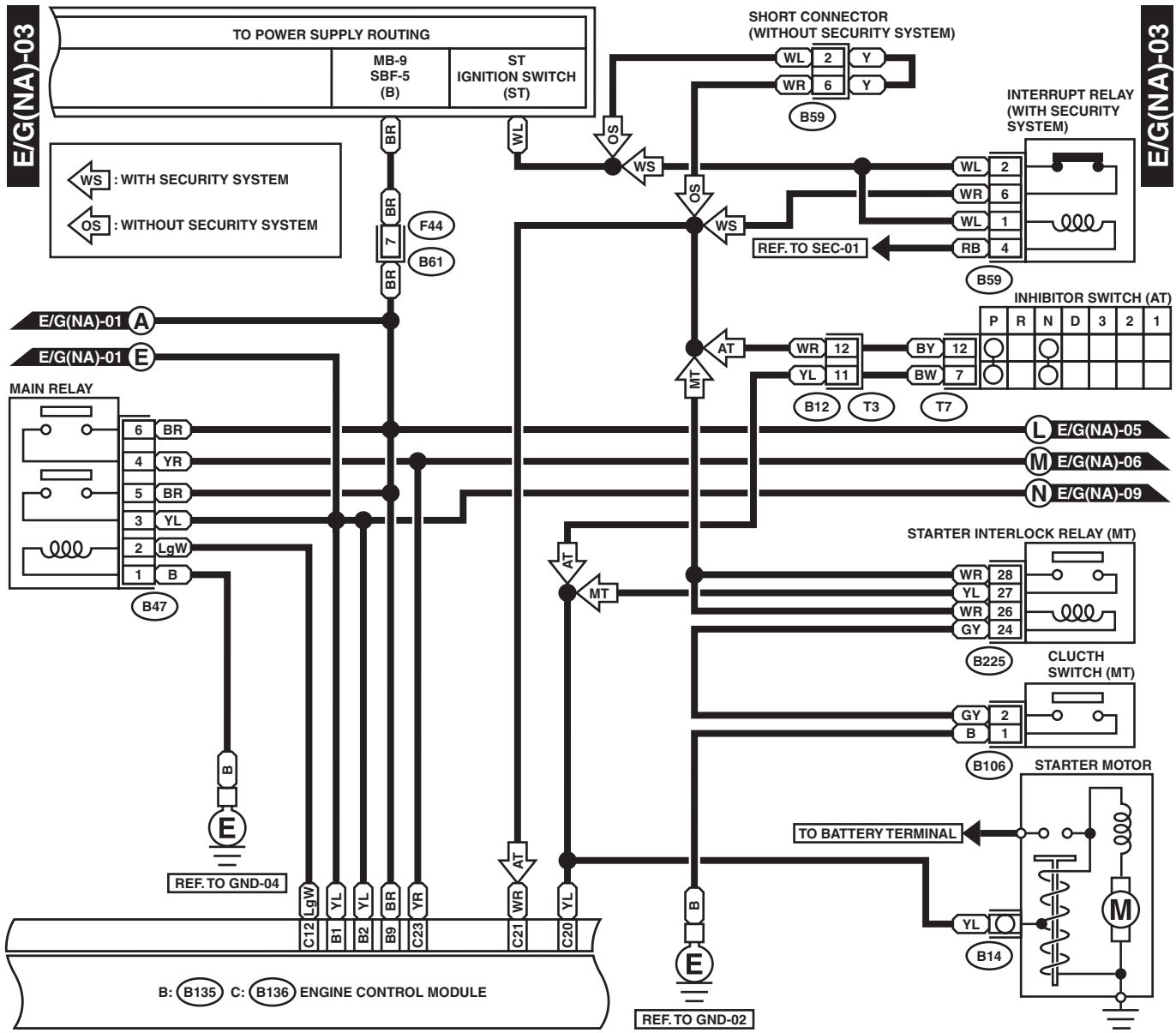
WIRING SYSTEM



WI-03039

ENGINE ELECTRICAL SYSTEM

WIRING SYSTEM



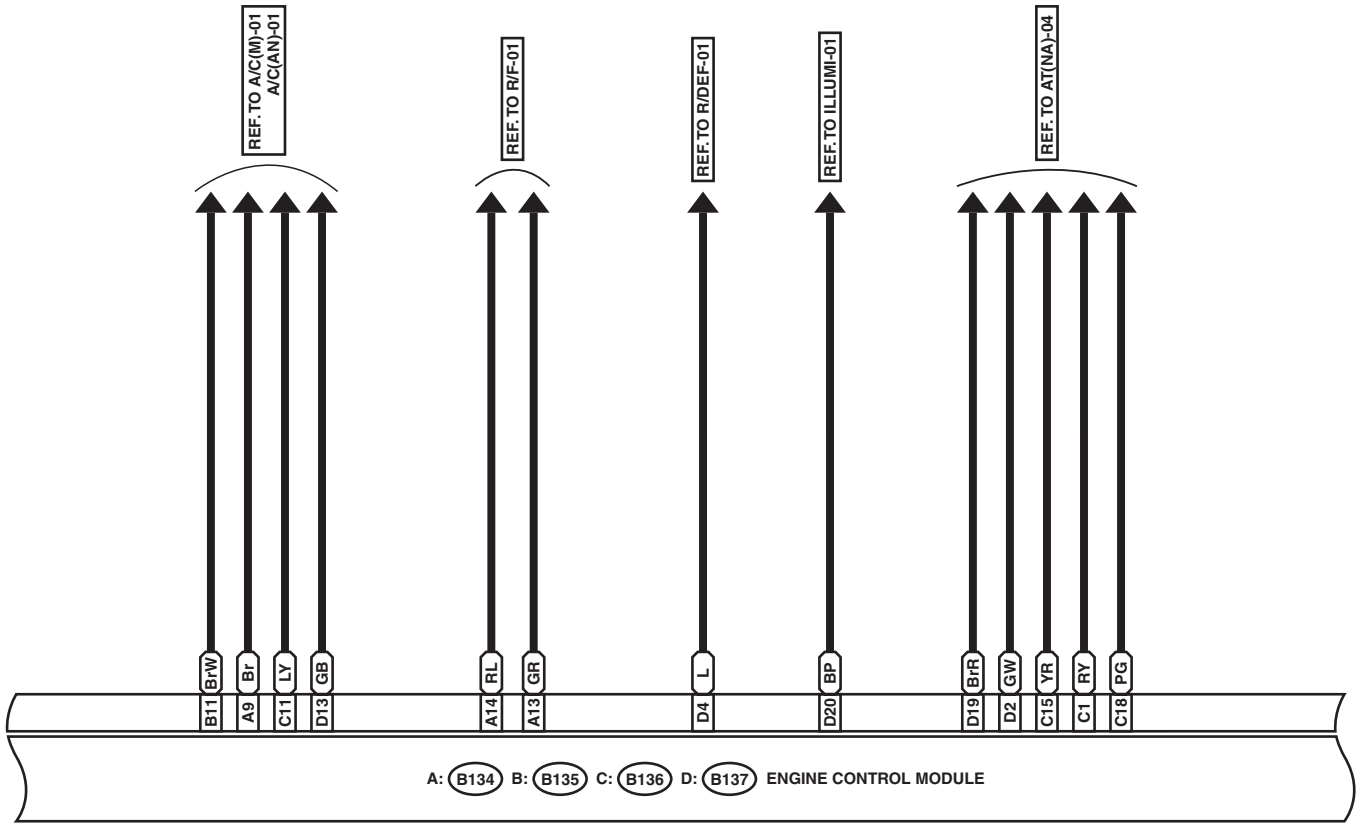
WI-03040

ENGINE ELECTRICAL SYSTEM

WIRING SYSTEM

E/G(NA)-04

E/G(NA)-04



D: (B137) (GRAY)

1	2			3	4
5	6	7	8	9	10
11	12	13	14	15	16
17	18	19	20		

C: (B136) (GRAY)

1	2	3			4	5	6
7	8	9	10	11	12	13	14
15	16	17	18	19	20	21	22
23	24	25	26				

B: (B135) (GRAY)

1	2	3			4	5	6	7
8	9	10	11	12	13	14	15	16
17	18	19	20	21	22	23	24	25
26	27	28						

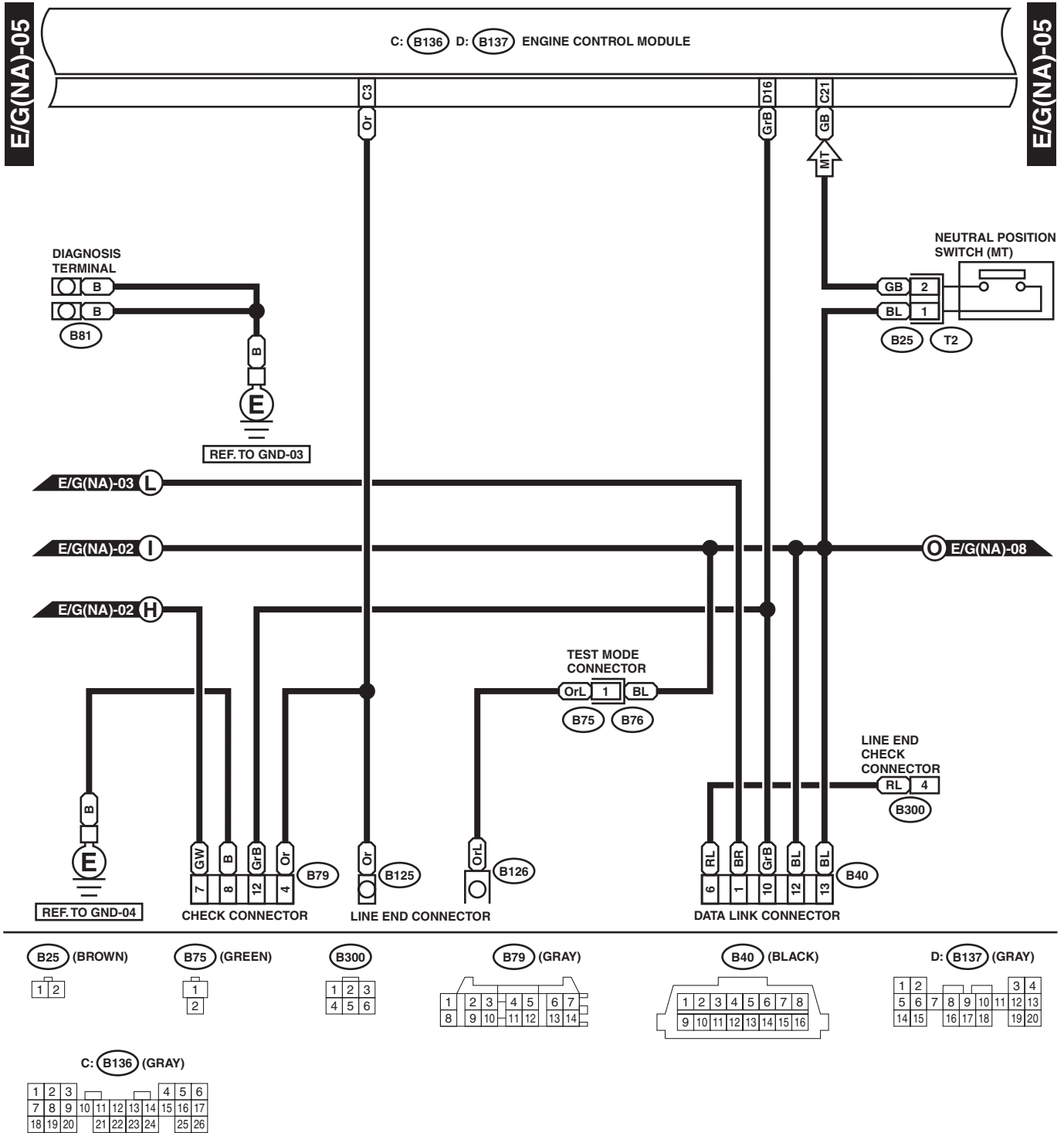
A: (B134) (GRAY)

1	2	3	4			5	6	7	8
9	10	11	12	13	14	15	16	17	18
19	20	21	22	23	24	25	26	27	28
29	30	31	32	33	34	35			

WI-03041

ENGINE ELECTRICAL SYSTEM

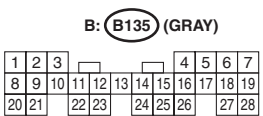
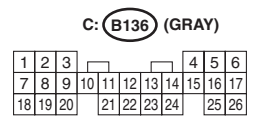
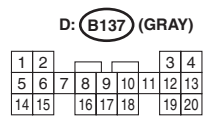
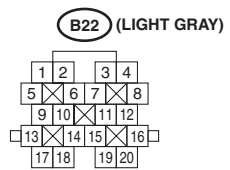
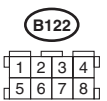
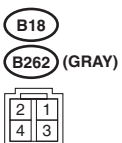
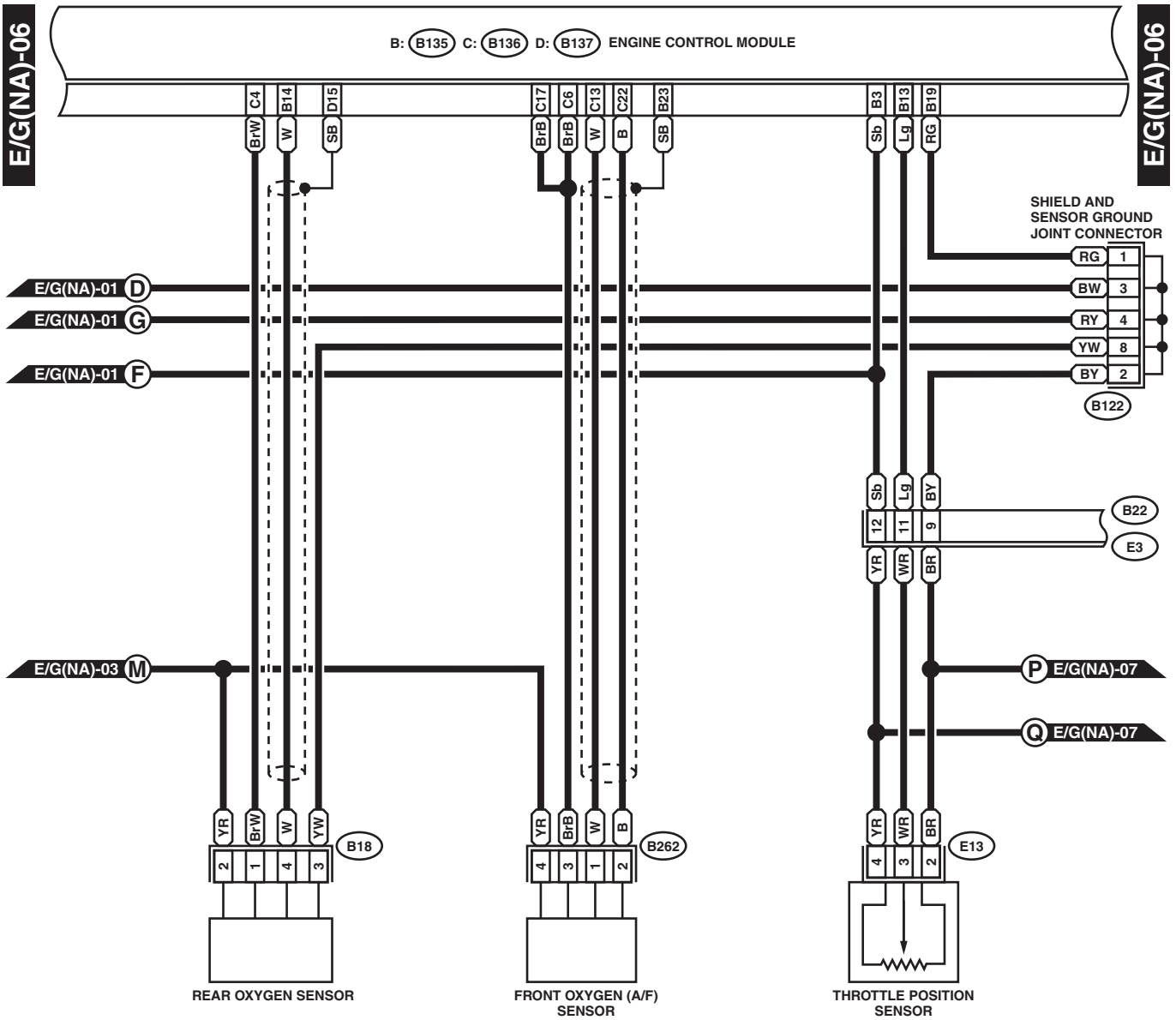
WIRING SYSTEM



WI-03042

ENGINE ELECTRICAL SYSTEM

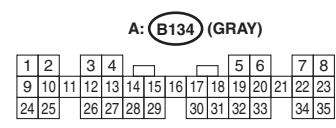
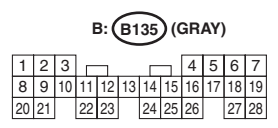
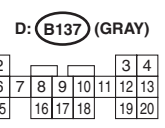
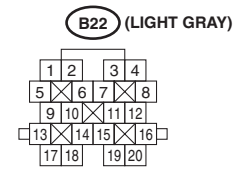
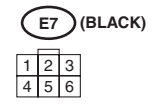
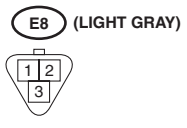
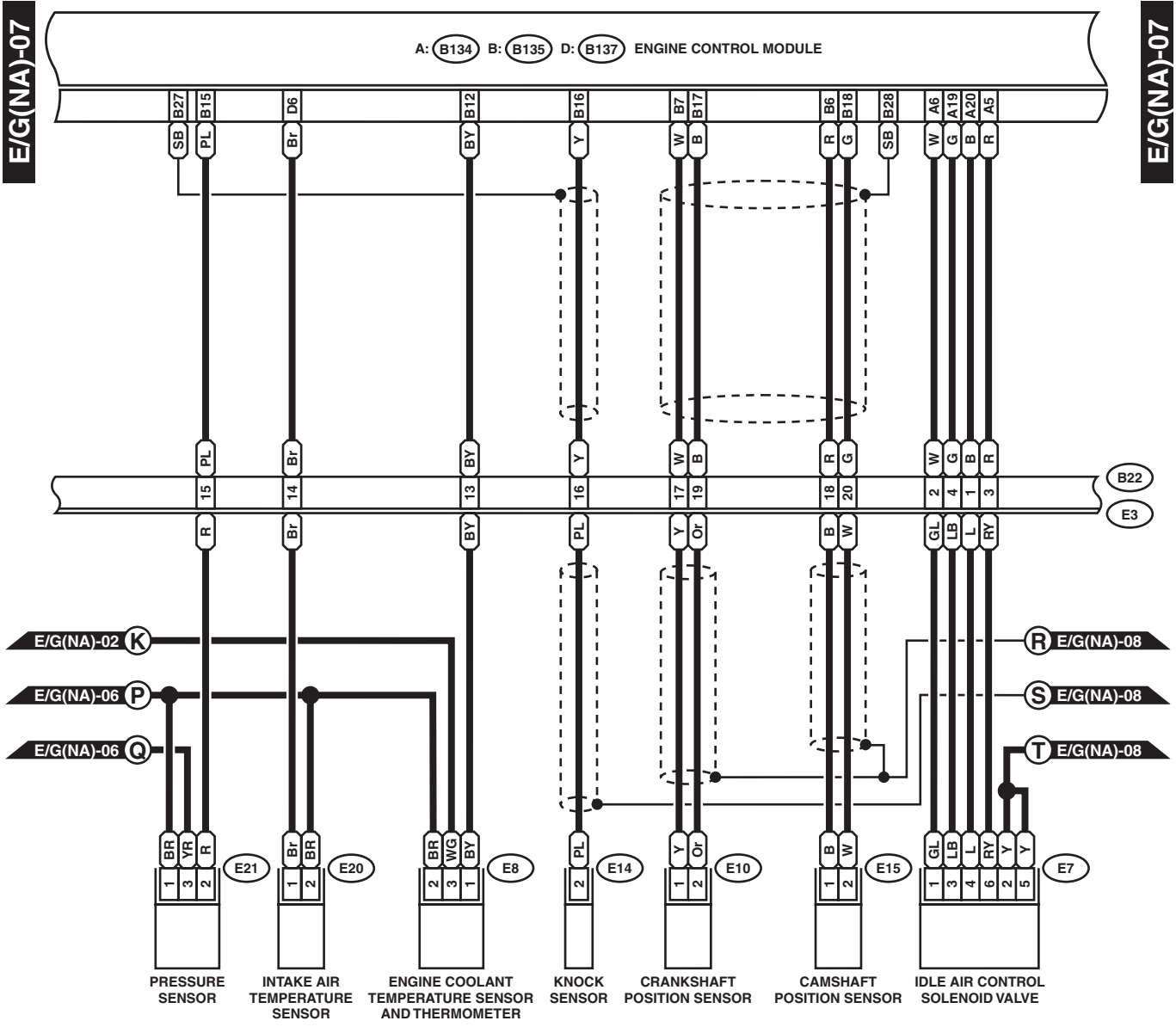
WIRING SYSTEM



WI-03043

ENGINE ELECTRICAL SYSTEM

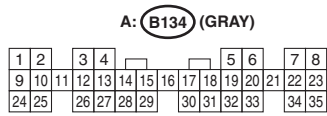
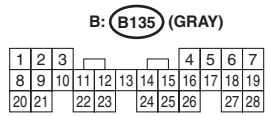
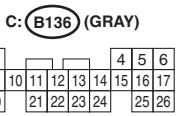
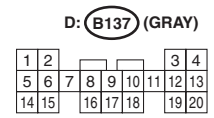
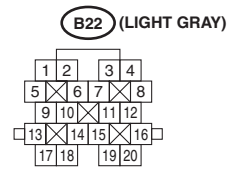
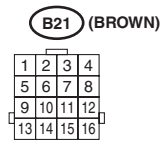
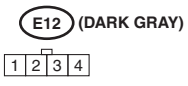
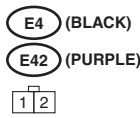
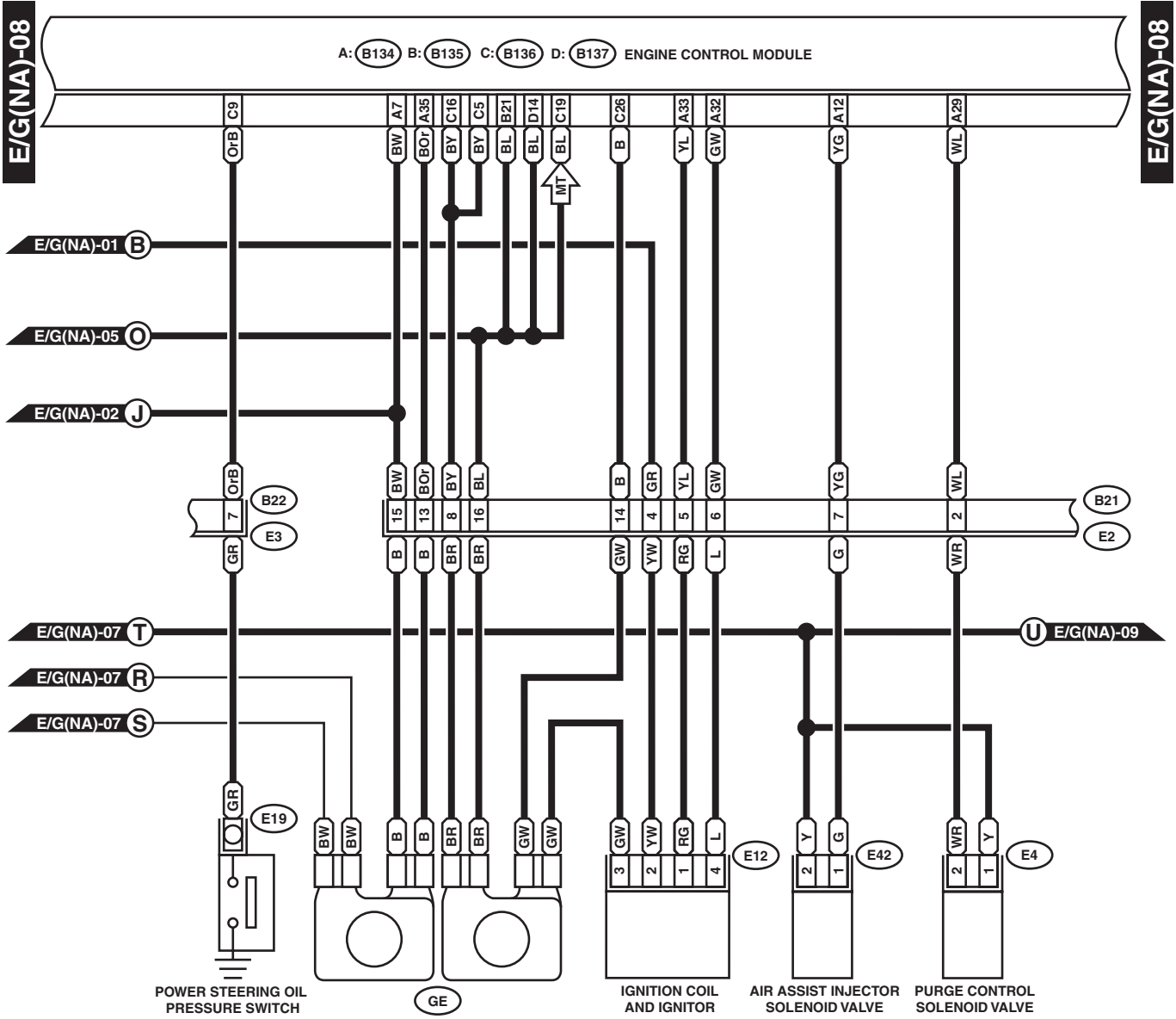
WIRING SYSTEM



WI-03044

ENGINE ELECTRICAL SYSTEM

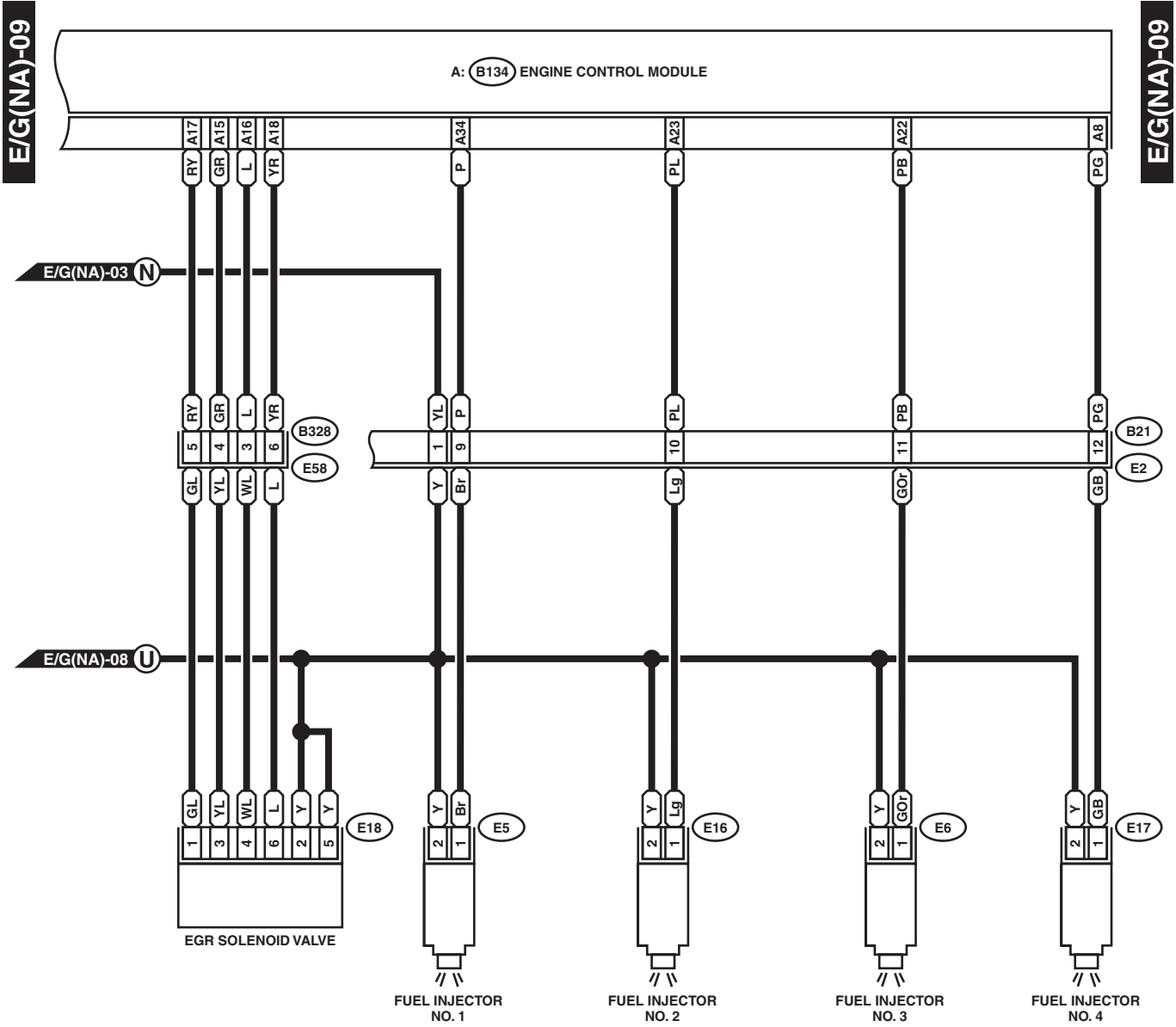
WIRING SYSTEM



WI-03045

ENGINE ELECTRICAL SYSTEM

WIRING SYSTEM



- (E5) (LIGHT GRAY)
- (E6) (LIGHT GRAY)
- (E16) (LIGHT GRAY)
- (E17) (LIGHT GRAY)

- (B328) (GRAY)
 - (E18) (DARK GRAY)
- | | | |
|---|---|---|
| 1 | 2 | 3 |
| 4 | 5 | 6 |

- (B21) (BROWN)
- | | | | |
|----|----|----|----|
| 1 | 2 | 3 | 4 |
| 5 | 6 | 7 | 8 |
| 9 | 10 | 11 | 12 |
| 13 | 14 | 15 | 16 |

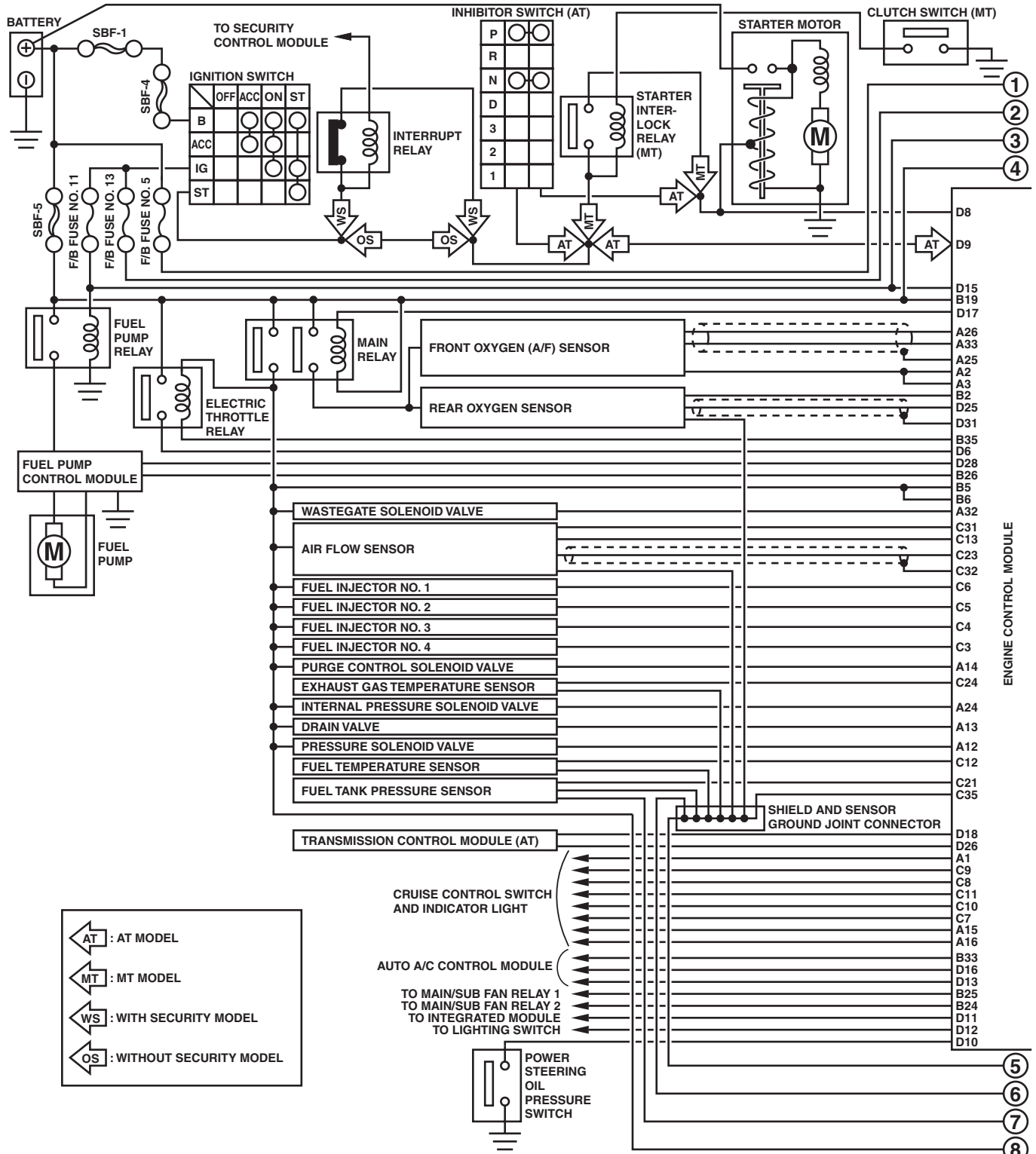
- A: (B134) (GRAY)
- | | | | | | | | | | | | | | | |
|----|----|----|----|----|----|----|----|----|----|----|----|----|----|----|
| 1 | 2 | 3 | 4 | | | 5 | 6 | 7 | 8 | | | | | |
| 9 | 10 | 11 | 12 | 13 | 14 | 15 | 16 | 17 | 18 | 19 | 20 | 21 | 22 | 23 |
| 24 | 25 | 26 | 27 | 28 | 29 | 30 | 31 | 32 | 33 | 34 | 35 | | | |

WI-03046

ENGINE ELECTRICAL SYSTEM

WIRING SYSTEM

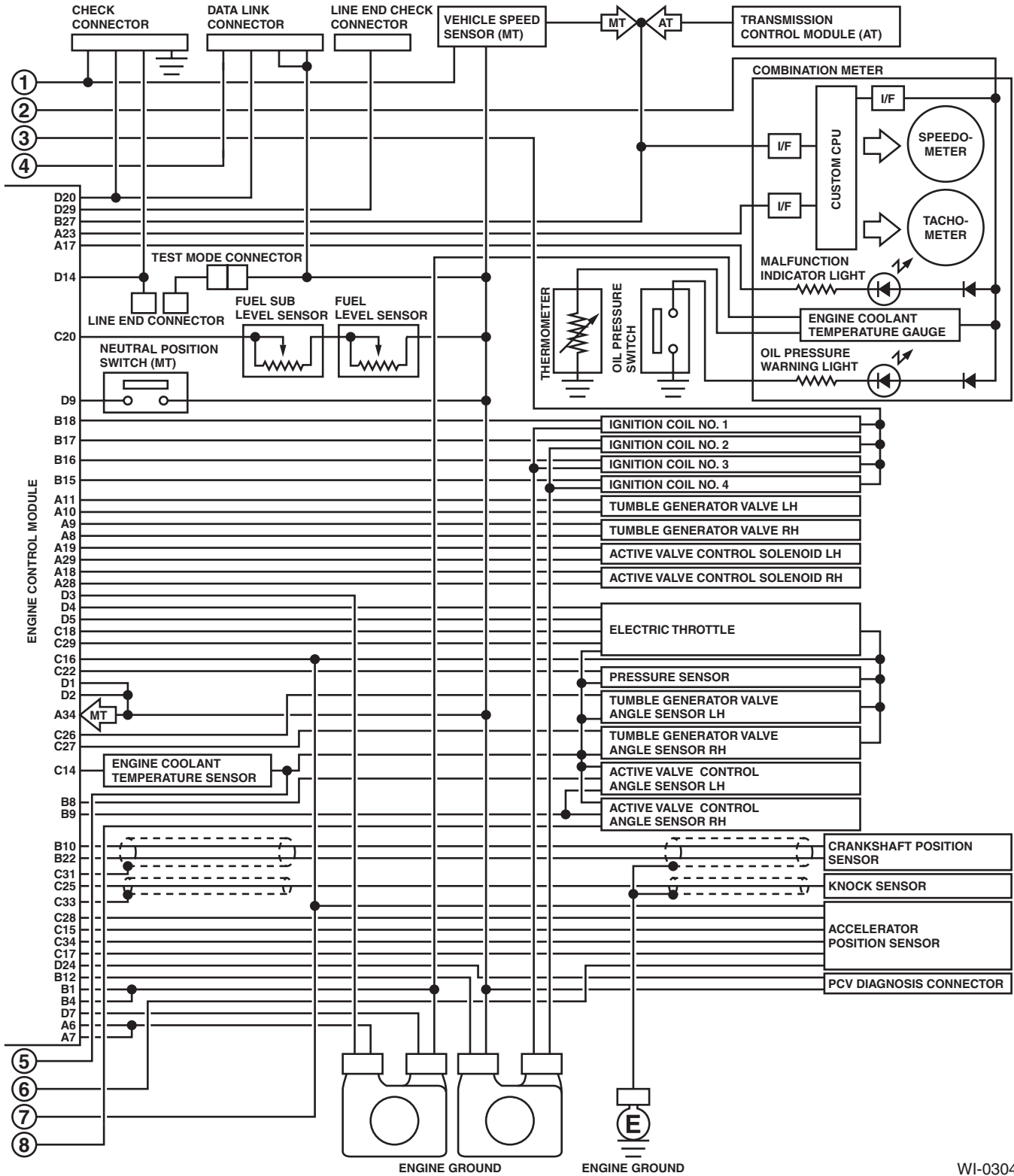
2. TURBO MODEL



WI-03047

ENGINE ELECTRICAL SYSTEM

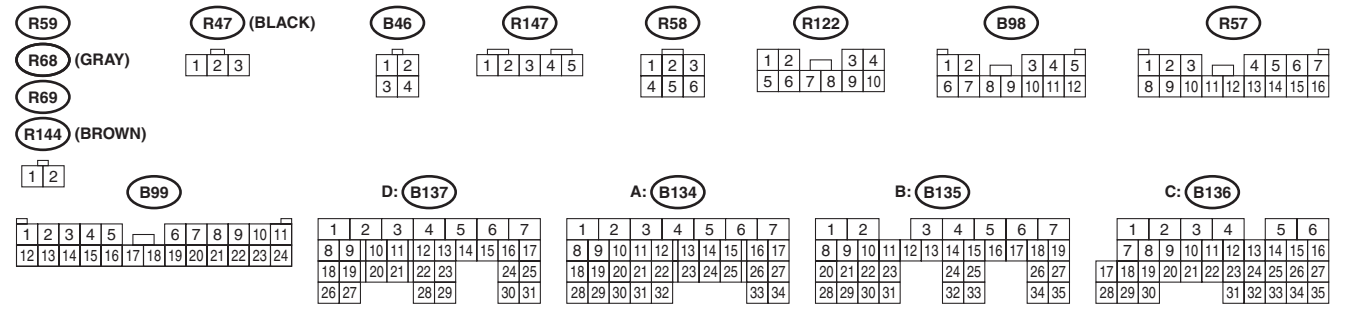
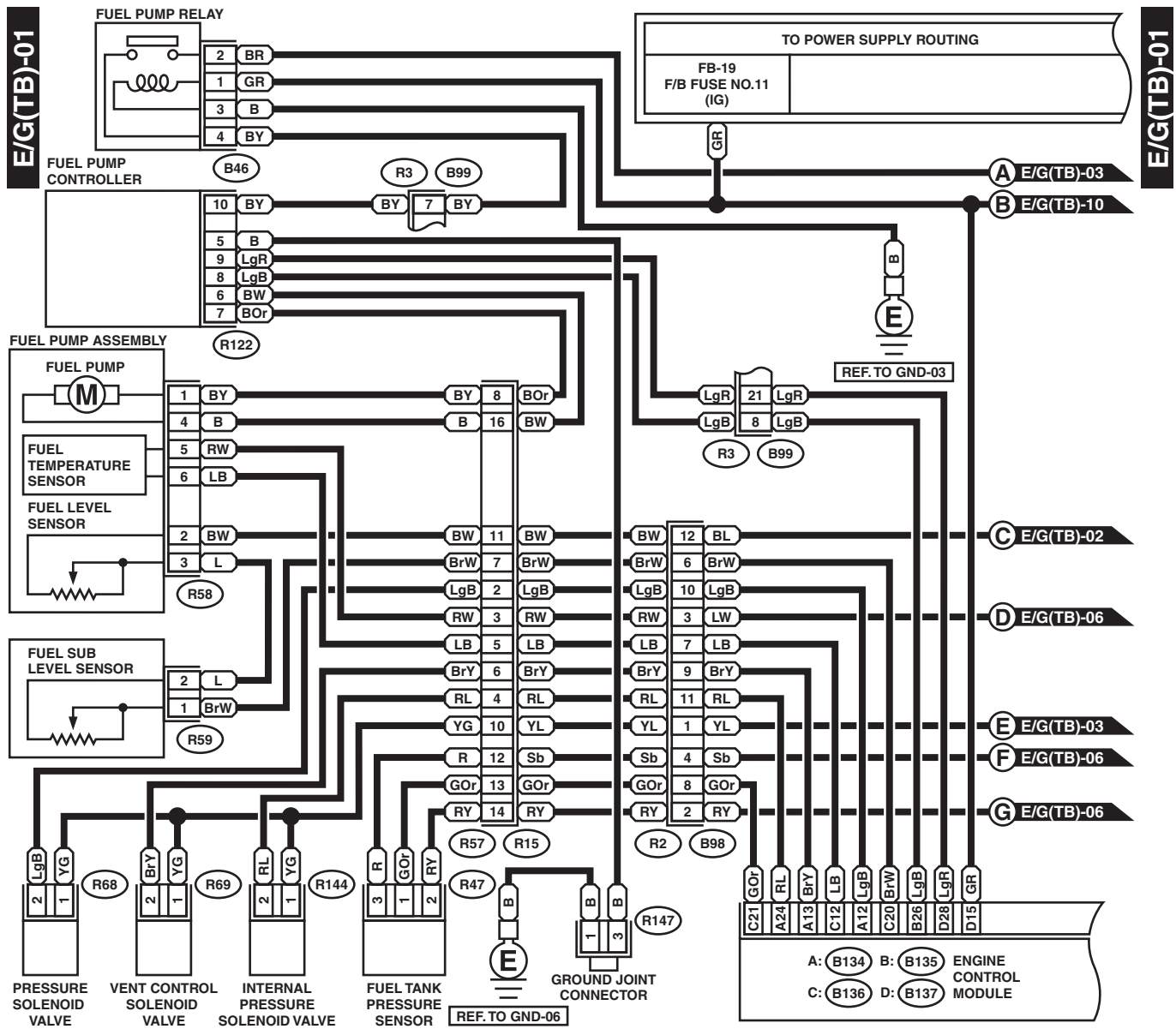
WIRING SYSTEM



WI-03048

ENGINE ELECTRICAL SYSTEM

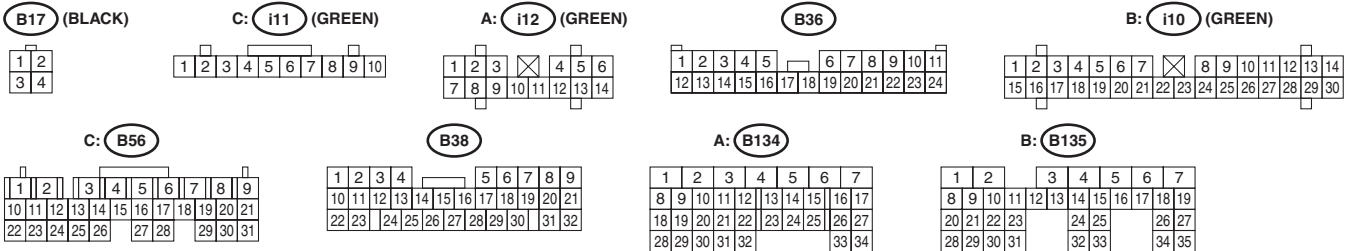
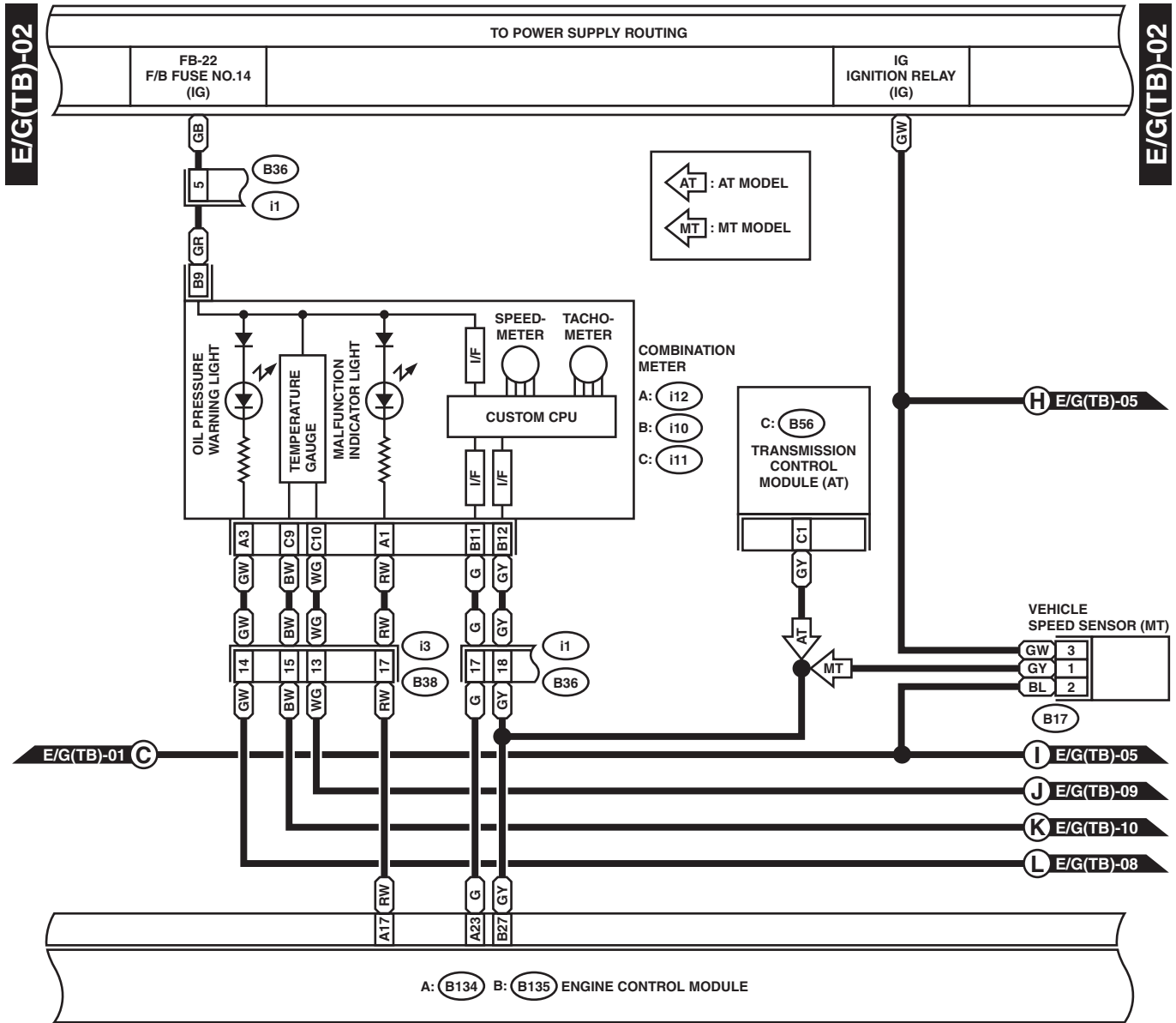
WIRING SYSTEM



WI-03049

ENGINE ELECTRICAL SYSTEM

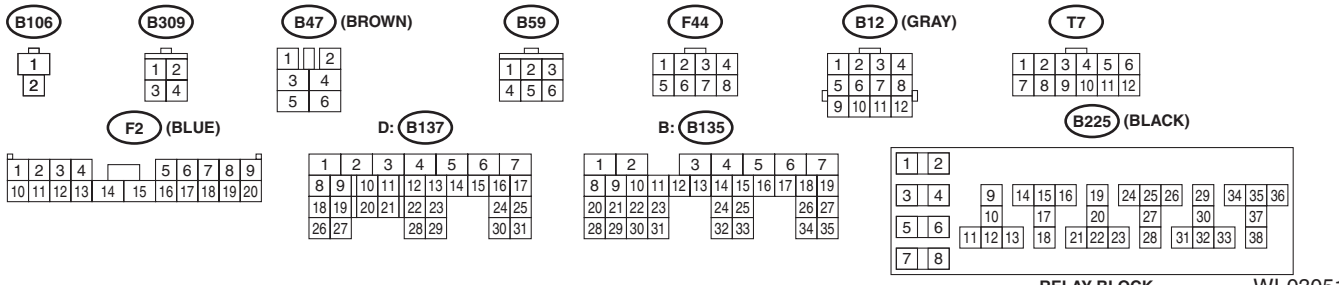
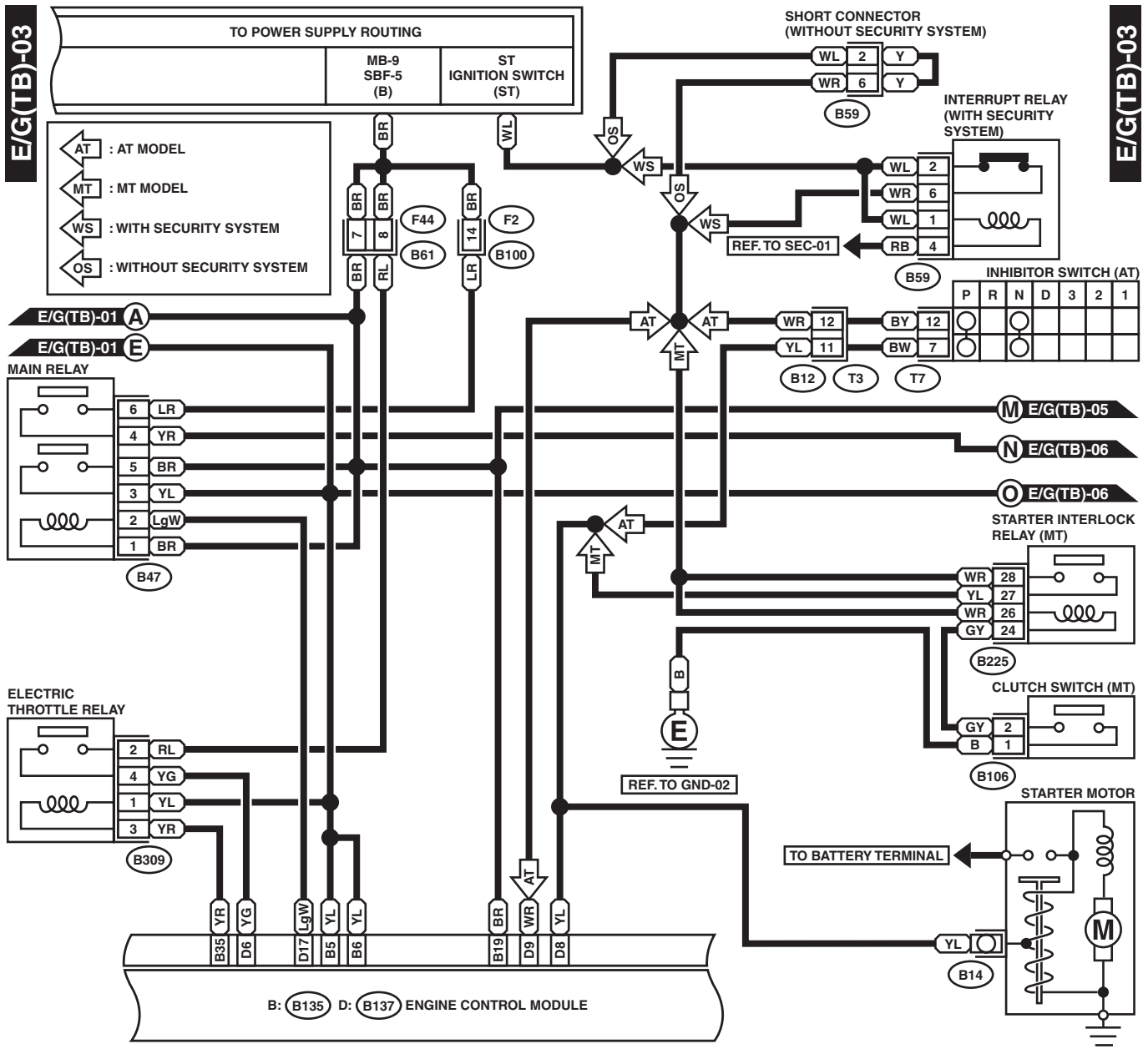
WIRING SYSTEM



WI-03050

ENGINE ELECTRICAL SYSTEM

WIRING SYSTEM

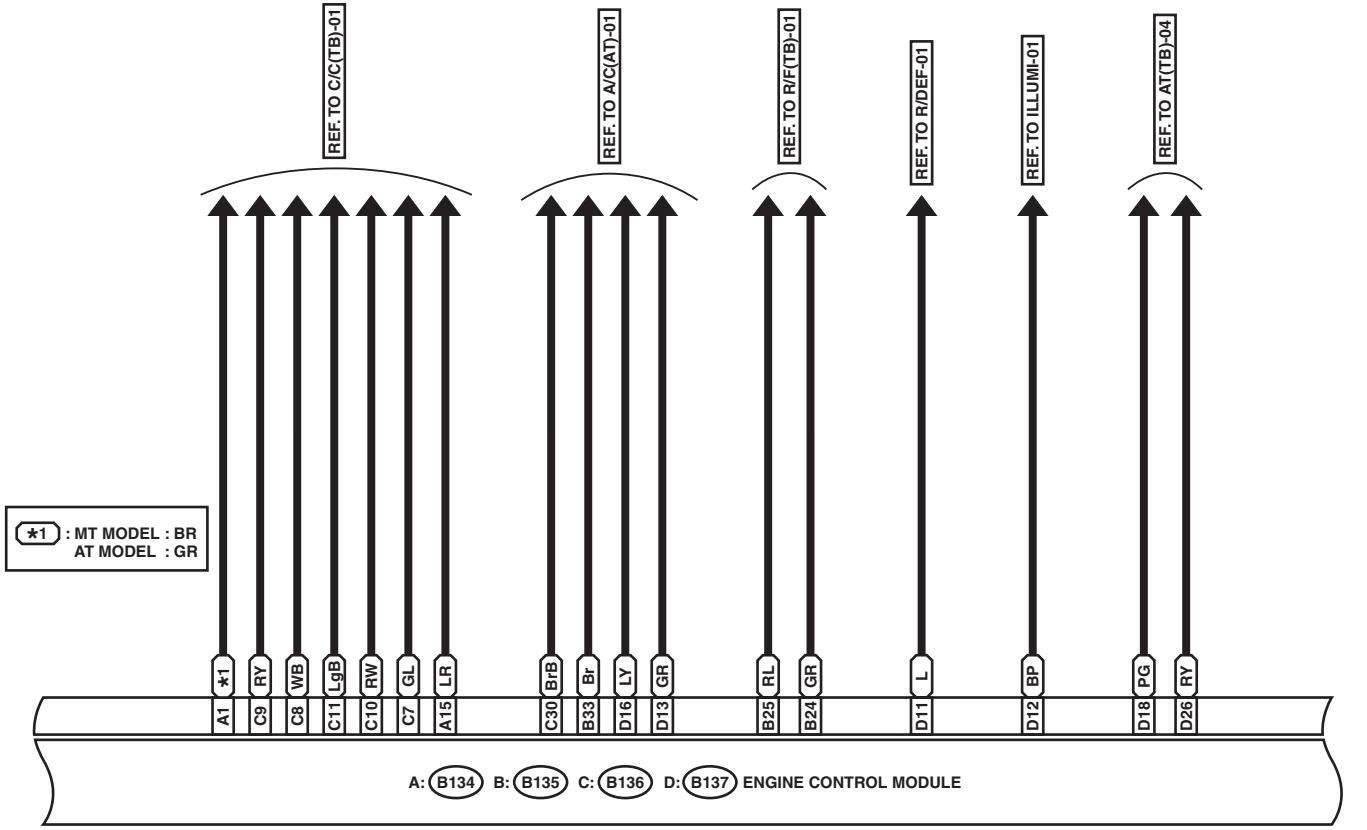


ENGINE ELECTRICAL SYSTEM

WIRING SYSTEM

E/G(TB)-04

E/G(TB)-04



D: (B137)

1	2	3	4	5	6	7
8	9	10	11	12	13	14
15	16	17	18	19	20	21
22	23	24	25	26	27	28
29	30	31	32	33	34	35

A: (B134)

1	2	3	4	5	6	7
8	9	10	11	12	13	14
15	16	17	18	19	20	21
22	23	24	25	26	27	28
29	30	31	32	33	34	35

B: (B135)

1	2	3	4	5	6	7
8	9	10	11	12	13	14
15	16	17	18	19	20	21
22	23	24	25	26	27	28
29	30	31	32	33	34	35

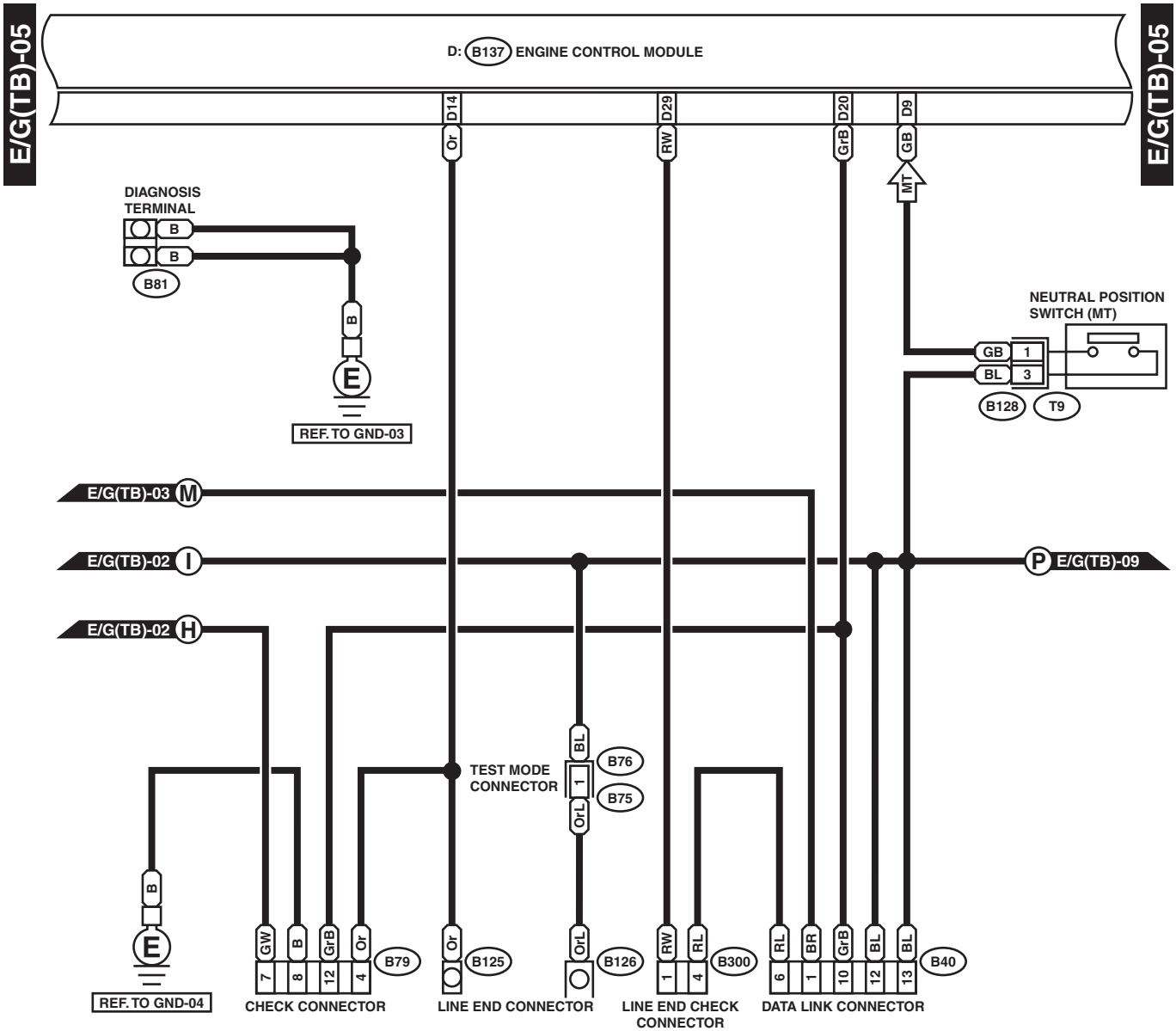
C: (B136)

1	2	3	4	5	6
7	8	9	10	11	12
13	14	15	16	17	18
19	20	21	22	23	24
25	26	27	28	29	30
31	32	33	34	35	36

WI-03052

ENGINE ELECTRICAL SYSTEM

WIRING SYSTEM



B75 (GREEN)



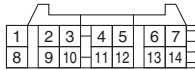
B128 (GRAY)



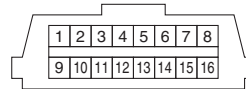
B300



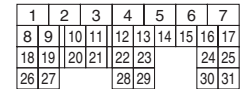
B79 (GRAY)



B40 (BLACK)



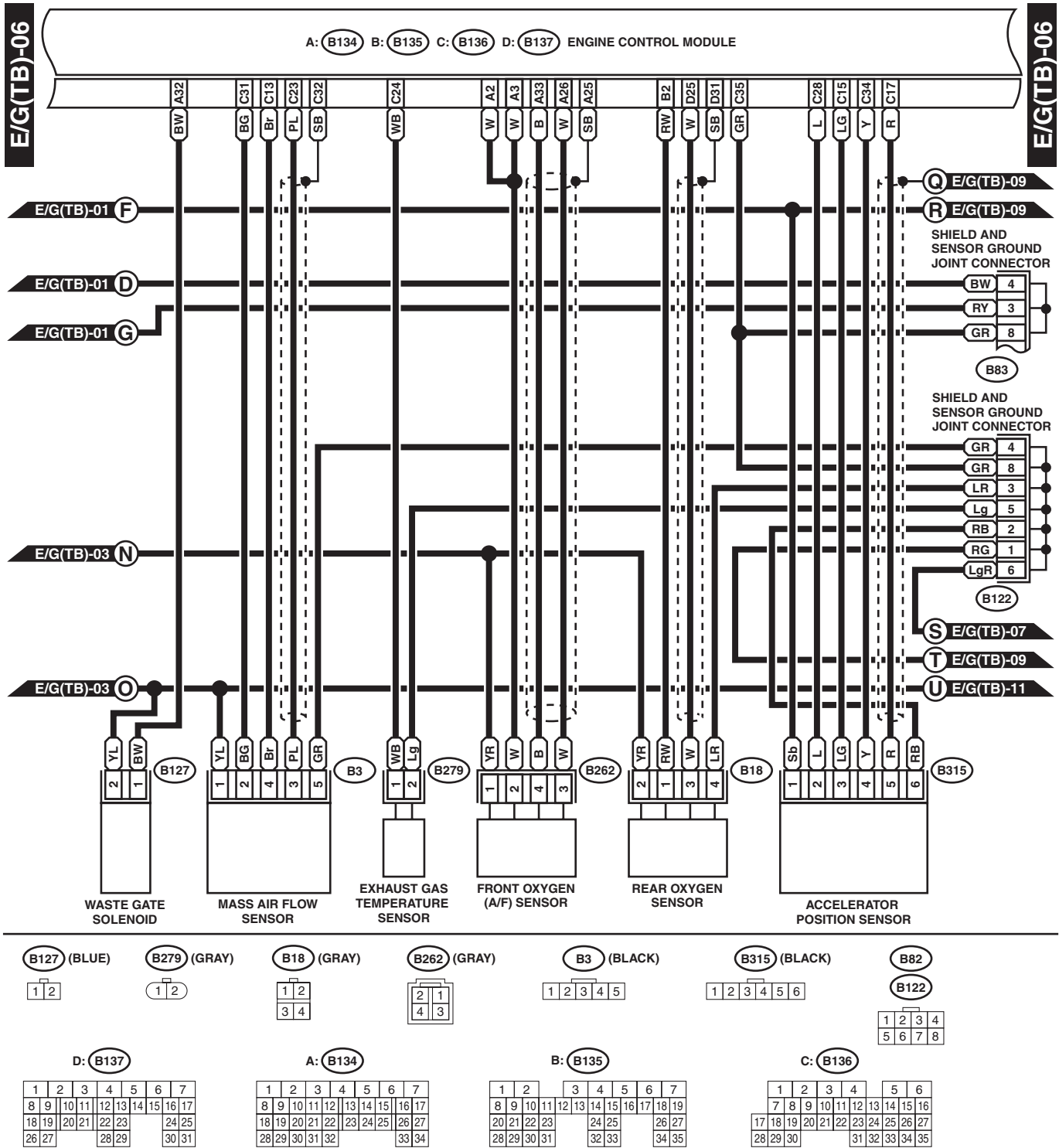
D: B137



WI-03053

ENGINE ELECTRICAL SYSTEM

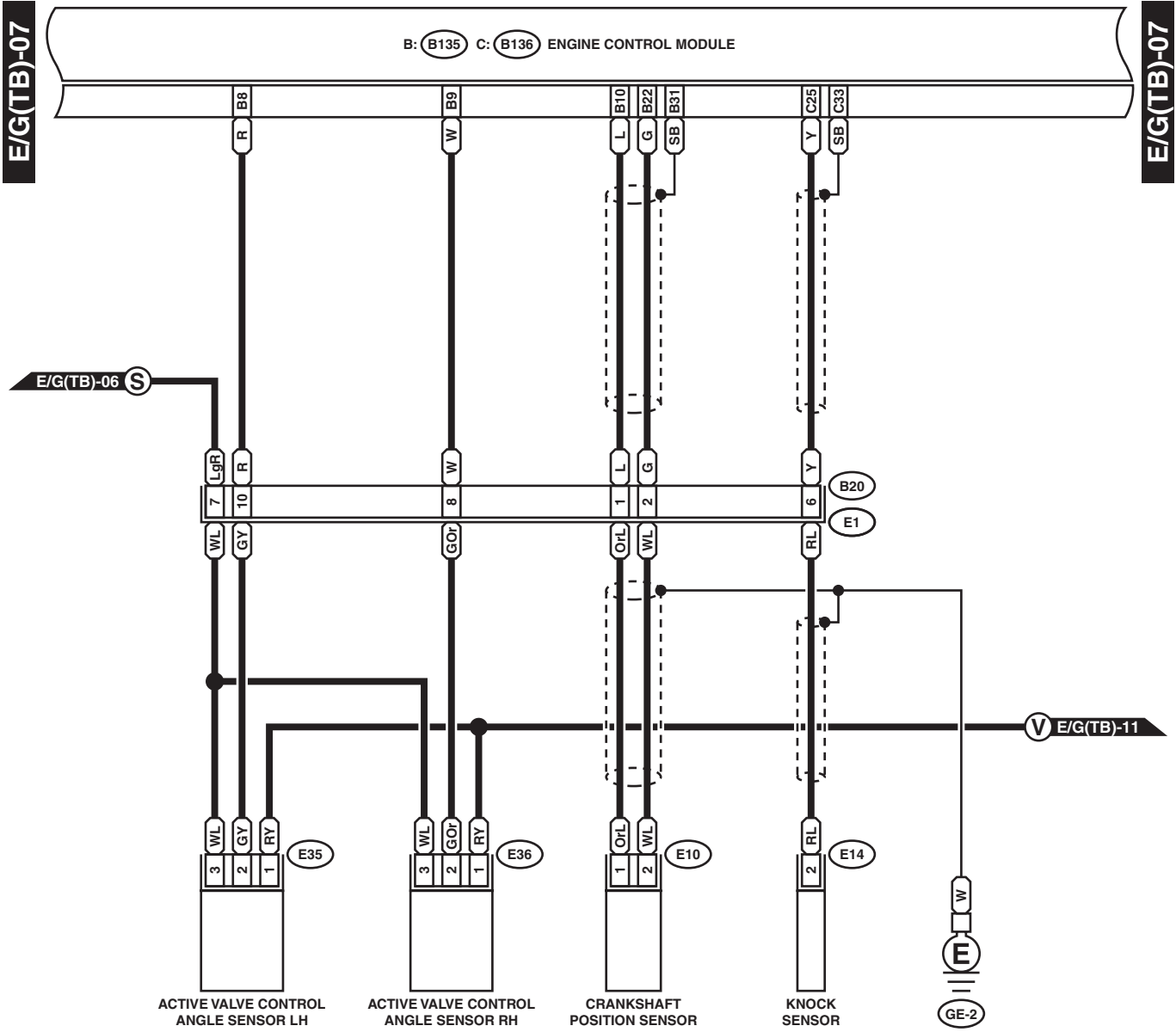
WIRING SYSTEM



WI-03054

ENGINE ELECTRICAL SYSTEM

WIRING SYSTEM



E10 (LIGHT GRAY)

E35 (LIGHT GRAY)

B20 (LIGHT GRAY)

B: B135

C: B136

E14 (LIGHT GRAY)

E36 (LIGHT GRAY)

1	2	3	4
5	6	7	
8	9	10	

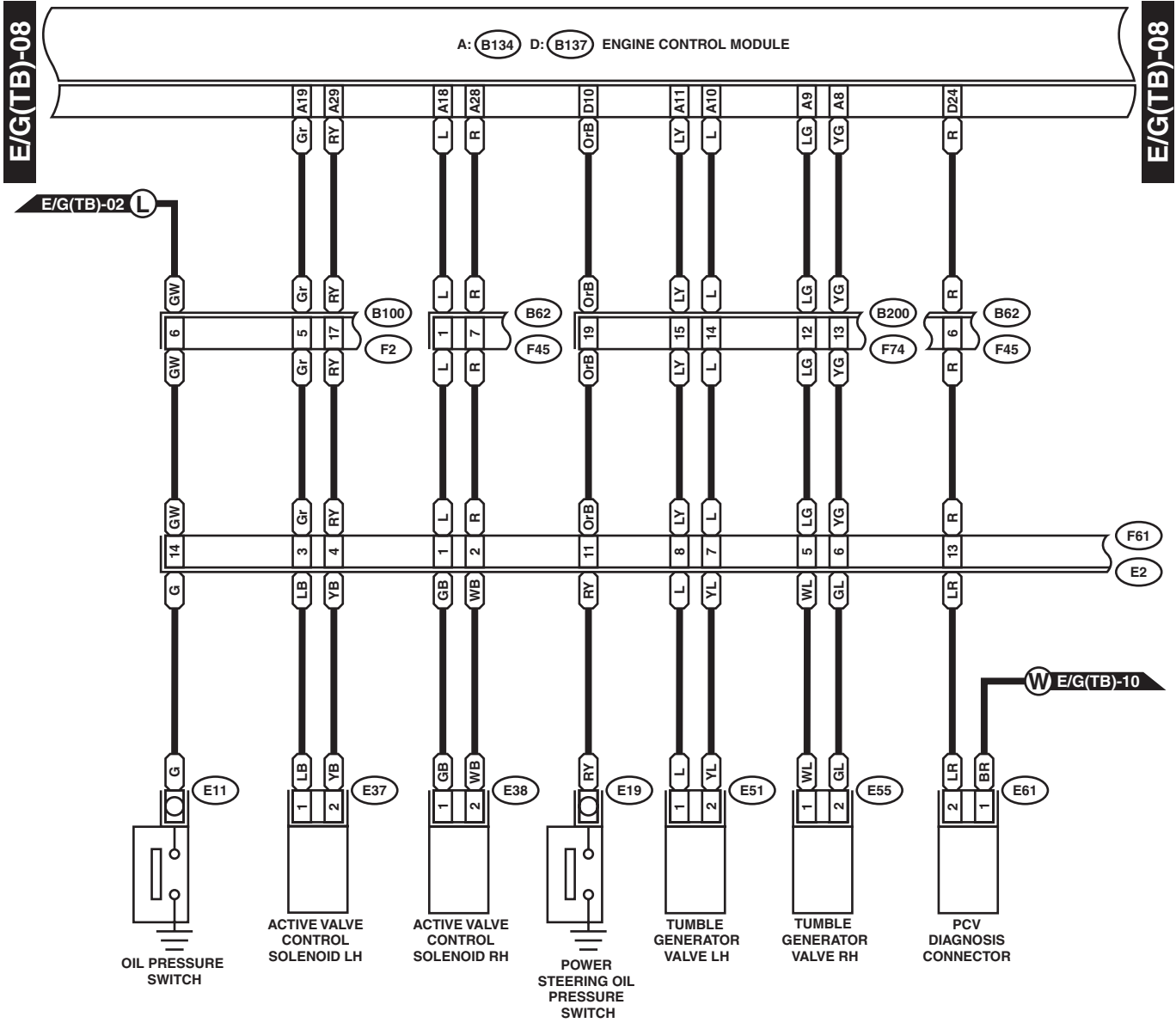
1	2	3	4	5	6	7					
8	9	10	11	12	13	14	15	16	17	18	19
20	21	22	23	24	25	26	27				
28	29	30	31	32	33	34	35				

1	2	3	4	5	6					
7	8	9	10	11	12	13	14	15	16	
17	18	19	20	21	22	23	24	25	26	27
28	29	30				31	32	33	34	35

WI-03055

ENGINE ELECTRICAL SYSTEM

WIRING SYSTEM



E37

F45

F2 (BLUE)

F61 (BLACK)

F74 (BLACK)

E38

1	2	3	4	5	6	7
8	9	10	11	12	13	14
15	16	17	18	19	20	21
22	23	24	25	26	27	28
29	30	31	32	33	34	35

1	2	3	4	5	6	7	8	9
10	11	12	13	14	15	16	17	18
19	20	21	22	23	24	25	26	27
28	29	30	31	32	33	34	35	36

1	2	3	4
5	6	7	8
9	10	11	12
13	14	15	16
17	18	19	20

1	2	3	4	5	6	7	8	9	10	11
12	13	14	15	16	17	18	19	20	21	22
23	24	25	26	27	28	29	30	31	32	33
34	35	36	37	38	39	40	41	42	43	44

E51 (BLACK)

E55 (BLACK)

E61 (GRAY)

1 2

D: B137

A: B134

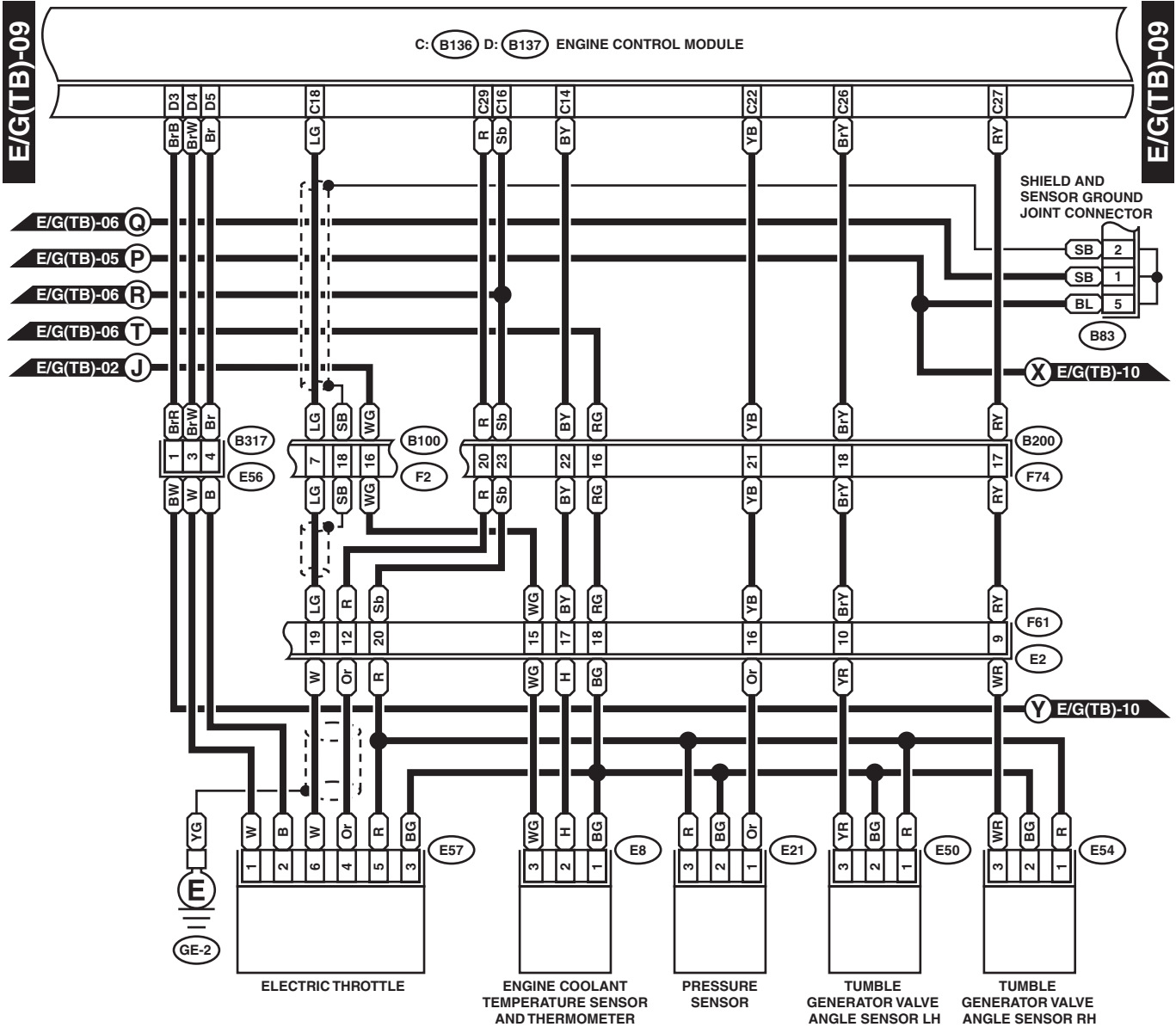
1	2	3	4	5	6	7
8	9	10	11	12	13	14
15	16	17	18	19	20	21
22	23	24	25	26	27	28
29	30	31	32	33	34	35

1	2	3	4	5	6	7
8	9	10	11	12	13	14
15	16	17	18	19	20	21
22	23	24	25	26	27	28
29	30	31	32	33	34	35

WI-03056

ENGINE ELECTRICAL SYSTEM

WIRING SYSTEM



E8 (LIGHT GRAY)



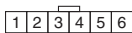
E21 (BLACK)



B317 (DARK GRAY)



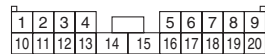
E57 (BLACK)



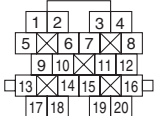
B83



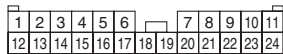
F2 (BLUE)



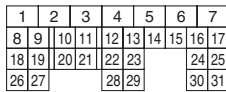
F61 (BLACK)



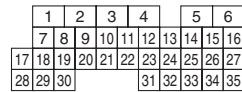
F74 (BLACK)



D: B137



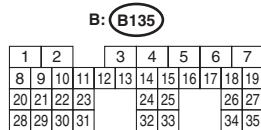
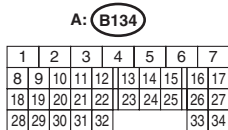
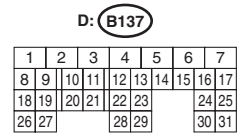
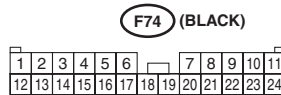
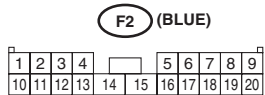
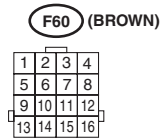
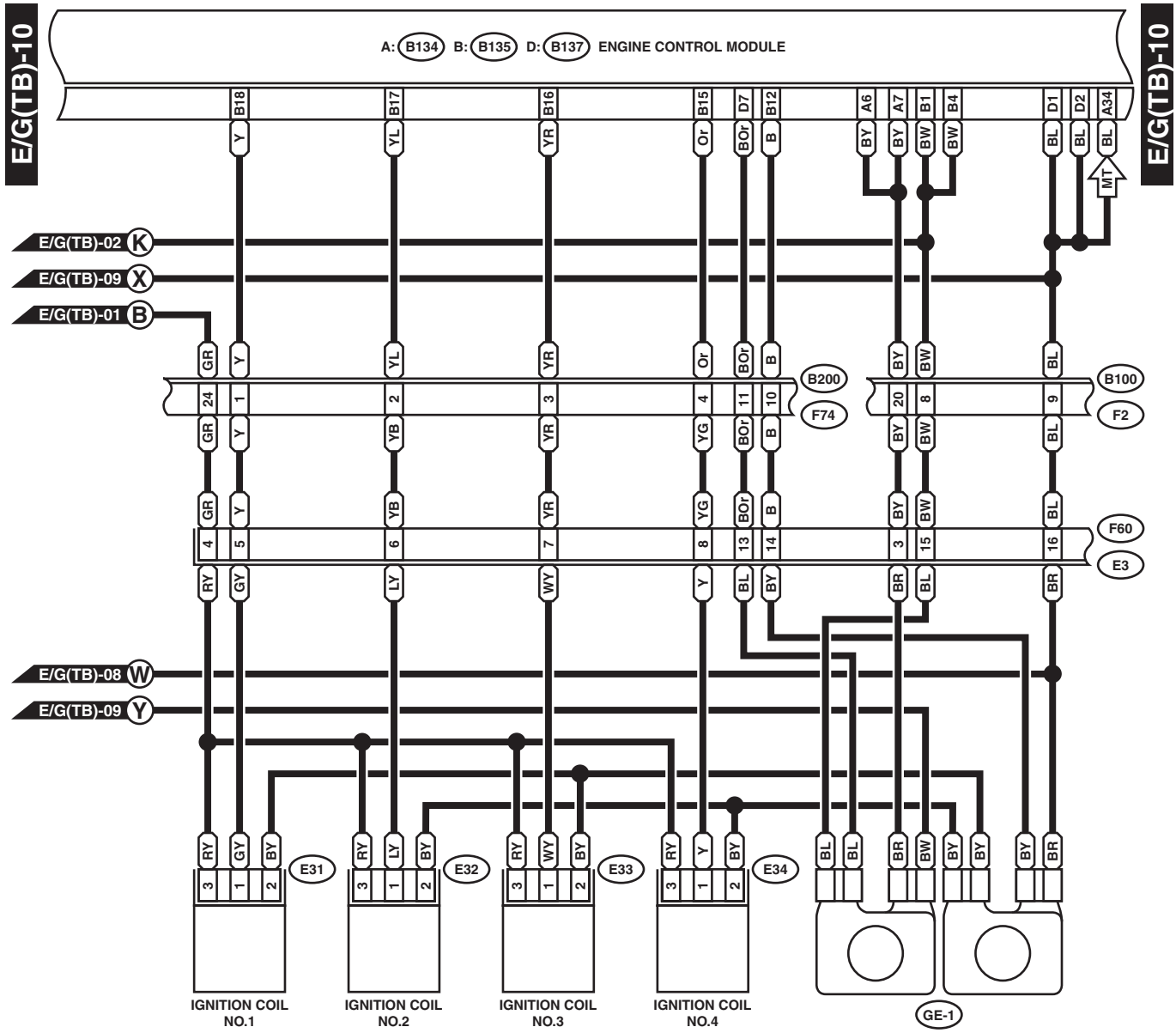
C: B136



WI-03057

ENGINE ELECTRICAL SYSTEM

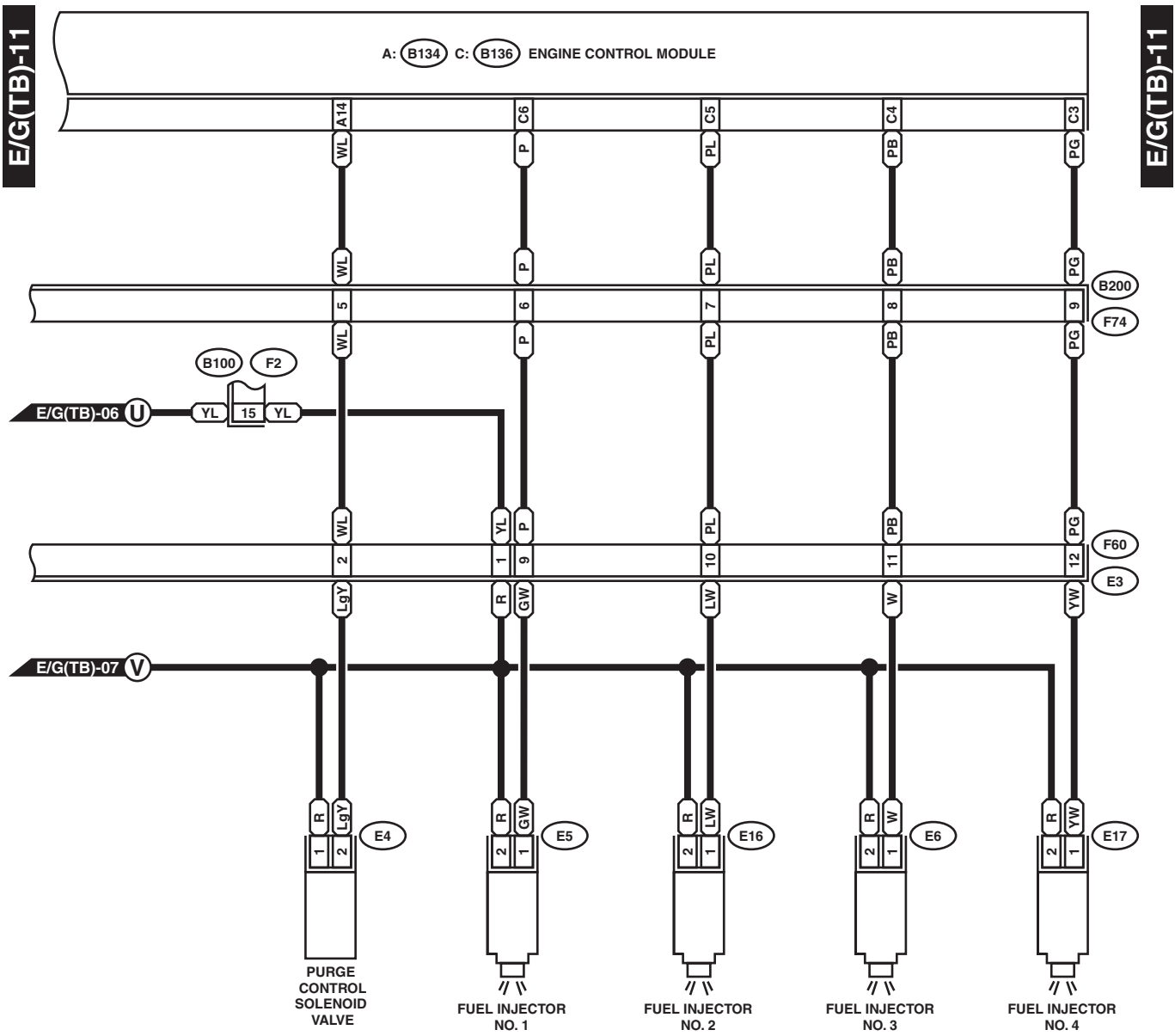
WIRING SYSTEM



WI-03058

ENGINE ELECTRICAL SYSTEM

WIRING SYSTEM



- E5 (DARK GRAY)
- E6 (DARK GRAY)
- E16 (DARK GRAY)
- E17 (DARK GRAY)

- E4 (BLACK)

- F60 (BROWN)

- F2 (BLUE)

- F74 (BLACK)

A: B134

1	2	3	4	5	6	7			
8	9	10	11	12	13	14	15	16	17
18	19	20	21	22	23	24	25	26	27
28	29	30	31	32		33	34		

C: B136

1	2	3	4	5	6					
7	8	9	10	11	12	13	14	15	16	
17	18	19	20	21	22	23	24	25	26	27
28	29	30		31	32	33	34	35		

WI-03059